



SOUND SUPPRESSORS
HUNTING & SPORTS SHOOTING

AU
ASE UTRA



HUNTING & SPORTS SHOOTING

- 3 Radien Series
- 4 S Series: SL5i, SL6i, SL7i, SL9i & SL11i CT
- 6 ECOi Rimfire

Suppressors for semi-automatic rifles

- 7 Fast-attach mounting systems
- 8 DUAL Gen2 Series: 556-mini, 556-S, 556, 762-S & 762
- 10 S Series SL4i-SMG & SL6i-SMG
- 11 S Series SL6-BL .300BLK & SL8-BL .300BLK
- 12 Barrel threads & Calibers
- 13 Typical sound pressure levels
- 14 Ase Utra

AU RADIEN

RADIEN / RADIEN TITAN
RADIEN 300 / RADIEN 300XTi

Ase Utra Radien is an over-barrel suppressor that combines light weight and superior sound and recoil reduction. It weighs only 290 grams, but provides net suppression of 29–31 dB on the ear level with a .308 win. These qualities make it ideal for any hunter. Radien is designed for .223/6.5mm, .30 non-magnum and 9.3x62 calibers. Radien is manufactured from hard anodized aluminium. Two color options available: tungsten and black.

Radien Titan is the optimal suppressor for a hunter who appreciates light-weight gear. Radien Titan combines titanium muzzle brake and a hard anodized aluminum baffle. The suppressor provides excellent recoil and noise reduction in calibers .223 – .308 Win.



The Radien Titan is available as standard in black and tungsten, and by special order in five color options: bronze, FDE, coyote, OD green, and sniper grey.

The **Radien 300** is designed for .300 Win Mag and other 7 mm–.30 magnum calibers. It provides reliable recoil reduction and sound suppression, particularly in non-magnum .30 calibers. Like other products in the Radien series, the suppressor body is made of hard-anodized aluminum. The muzzle brake is made of steel.

The **Radien 300 XTi** is designed for .300 Win Mag and other 7 mm – .30 magnum calibers. It offers exceptional sound and recoil reduction – with superior suppression performance also in non-magnum .30 calibers. The suppressor body is made of hard-anodized aluminum. The thread and muzzle brake are titanium, ensuring lightweight durability for demanding use. Sound suppression 35–36 dB (.300 Win Mag).

The color of the Radien 300 and 300XTi is black.



Radien 285 g / 210 mm Radien Titan 200 g / 140 mm Radien 300 400 g / 236 mm Radien 300XTi 480 g / 282 mm

NEW

Radien	.222 – .30, .338/9.3	285–295	210	110	45	29–31	Aluminium	Anodizing
Radien Titan	6.5 Creedmoor * .308 **	200–210	140	122	45	27–29 * 24–26 **	Aluminium and titanium	Anodizing
Radien 300	.300 Win Mag	ca. 400	236	125	49,5	31–33	Aluminium	Anodizing
Radien 300XTi	Up to 300 Win Mag	480	282	171	49,5	35–36	Aluminium and titanium	Anodizing and Cerakote



AU S SERIES

SL5i / SL6i / SL7i / SL9i / SL11i

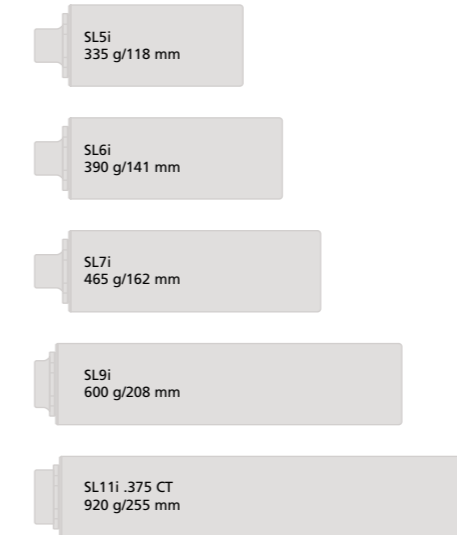
S Series SL5i is the smallest steel-bodied suppressor on the market, which yields a sound level of less than 140 dB at the shooter's ear with a .308 Win caliber weapon. SL5i is well suited for hunting and shooting on the range. The **SL6i** series suppressors are designed for heavy-duty hunting rifles.

For those who are looking for more performance, our range can offer the **S series SL7i** suppressor that offers more suppression in only a slightly larger size. The maximum suppression for the .338 LM caliber can be reached with the **SL9i**.



SL5i and SL11i. S Series suppressors are available with both BoreLock and direct thread mounting.

S Series suppressor size comparison with direct thread mounting.



The various suppressor models of Ase Utra can be equipped with heat covers. The covers are manufactured from very durable 1000D CORDURA® and Nomex® fabrics. The covers effectively reduce and delay the effect of the mirage from the suppressor. They also assist in removing a hot suppressor from the barrel.

SL11i .375 CT is a strong and compact stainless steel suppressor designed for .375 CheyTac caliber sniper rifles. Excellent sound and flash suppression performance.

S series suppressors come in a large selection of threads, which ensures that the suppressor will suit barrels of various sizes.

	Caliber	Weight (g)	Length (mm)	Muzzle diameter (mm)	Thread (mm)	dB	Cover	Finish
SL5i DT / BL*	Four caliber sizes available: .223, .25, .30 and 8 mm	335-345 / *420	118 / *130	103 / *92	44,5	22-25 (1 m left of the muzzle, .308 Win) 22-24 (shooters ear, .308 Win)	300 series stainless steel	Blasted stainless finish or CeraKote coating
SL6i DT / BL*	Two caliber sizes available: .338/9.3 and .375	390-410 / *460	141 / *158	126 / *103	44,5	18-22 (1 m left of the muzzle, .9.3x62) 21-22 (shooters ear, .9.3x62)	300 series stainless steel	Blasted stainless finish or CeraKote coating
SL7i DT / BL*	Three caliber sizes available: .30, 8mm and .300 Win Mag / .338 Lapua Mag	465-485 (.30, 8mm) / *530-550 570-590 (.300 / .338) / *640-660	162 / *176-181	147 / *131	44,5 (.30, 8mm) 45 (.300 / .338)	30-33 (1 m left of the muzzle, .308 Win) 26-28 (shooters ear, .308 Win)	300 series stainless steel	Blasted stainless finish or CeraKote coating
SL9i DT / BL*	Two caliber sizes available: .30, and .300 Win Mag / .338 Lapua Mag	600 (.30) / *670 725 (.300 / .338) / *790	208 / *218	192 / *170	44,5 (.30) 45 (.300 / .338)	32-35 (1 m left of the muzzle, .308 Win) 29-32 (shooters ear, .308 Win) 35+ (1 m left of the muzzle, .338 LM) 26+ (shooters ear, .338 LM)	300 series stainless steel	Blasted stainless finish or CeraKote coating
SL11i .375 CT DT / BL*	.375 CT	920 / *970	255 / *260	230 / *205	45	30+	300 series stainless steel	Blasted stainless finish or CeraKote coating

Color options Black FDE Coyote OD Green Sniper Grey

AU ECOi RIMFIRE

The new Ase Ultra ECOi rimfire suppressor provides improved sound suppression and is intended for both pistol and rifle use. The ECOi suppressor is manufactured from aluminium with an anodized finish. The suppressor allows the use of iron sights or low mounted optical sights.

The standard threads available for the suppressor are 1/2" x 20 UNF or 1/2"x28 UNEF. Due to the simple design, the ECO suppressor can easily be taken apart for cleaning and maintenance.

Two piece inner core for easy disassembly and cleaning.



.22 LR

.17 HMR



105

105



140

140



125

125



28

28



dB

ca. 30

29-33 (1 m left of the muzzle, .22LR rifle)
28-31 (1 m left of the muzzle, .22 LR pistol)



Aluminium

Aluminium



Anodizing

Anodizing



105 g / 140 mm

FAST-ATTACH MOUNTING SYSTEMS

BORELOCK – A 4-POSITION ADJUSTABLE MOUNT

The BoreLock mounting (BL) provides an easy to operate and secure attachment to many of the common weapon models available. BoreLock mounting suppressors are available from 5.56 mm NATO up to .338 LM caliber.

BoreLock HiPer, Hiper-S and Bird Cage flash hidrs



The Hiper flash hider is an extremely efficient flash hider. The tapered alignment surface before the attachment thread effectively blocks fouling from entering the mounting surfaces and allows for ease of attachment and removal. HiPer flash hidrs are available to a variety of weapon types, from .223 Rem up to .30 caliber.

For those seeking a more traditional flash hider solution, we also have a BoreLock bird cage flash hider available in the same calibers.

BoreLock .30/.338 and .223/5.56 cal muzzle brakes



The two-part design of the BoreLock muzzle brakes provides for secure, simple, and quick installation. No washers or shims required, thus allowing for precise alignment.

BoreLock mounting collar

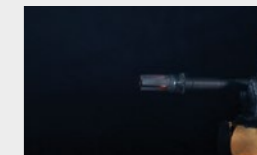


The primary purpose of the BoreLock mounting collar is to enable the user to continue using a flash hider or a muzzle brake that is already on the weapon.

To be compatible with the BoreLock mounting collar and suppressors, the muzzle device needs to be under 22 mm in diameter and have a maximum length of 63 mm.



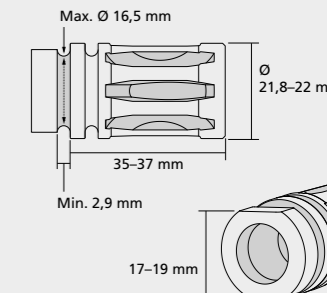
Muzzle flash with an A1 bird cage flash hider, M4 carbine with 14.5" barrel.



Muzzle flash with an Ase Ultra HiPer flash hider, M4 carbine with 14.5" barrel.

NEW QUICK MOUNT 2 FOR STANDARD NATO A1/A2 FLASH HIDERS

The QM2 fast-attach mounting system is our newest generation of fast-attach mounts. QM2 is designed for standard NATO A1/A2 flash hidrs. Thanks to its new innovative mechanism, the QM2 enables the suppressor to be attached and detached faster than before, in just a few seconds.



Required dimensions of NATO A1/A2 flash hidrs for QM2.





AU DUAL GEN2 SERIES

**DUAL556-MINI / DUAL556-S / DUAL556
DUAL762-S / DUAL762**

The DUAL GEN2 series represents the latest generation of Ase Utra suppressors. The flow-through design is optimized for semi- and fully automatic rifles. DUAL provides superior flash suppression and causes only about a 5% increase in bolt carrier velocity, compared to the 25–50% increase of traditional suppressors. Its stainless steel construction and BoreLock or QM2 mounting make DUAL extremely durable and reliable. DUAL GEN2 offers improved noise reduction levels and significantly reduces POI shift.

DUAL GEN2 suppressors are available with BoreLock and QM2 fast-attach mounting systems, and with a direct thread mount.



Mounting options

DUAL556-MINI: Borelock A1 Bird Cage, Borelock Hiper-S, Borelock muzzle brake, NATO A1/A2 -flash hidere, direct thread

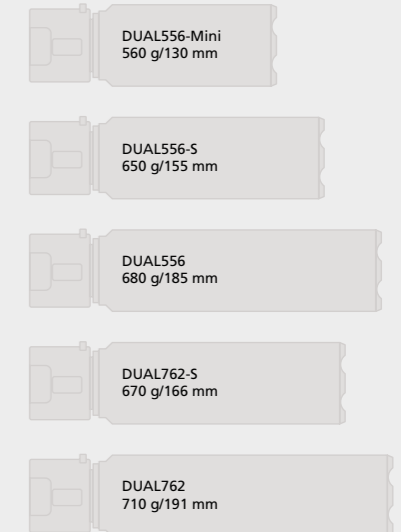
DUAL556-S & DUAL762-S: Borelock A1 Bird Cage, Borelock Hiper-S, Borelock muzzle brake, NATO A1/A2 -flash hidere, direct thread

DUAL556 & DUAL762: All Borelock muzzle devices, NATO A1/A2 -flash hidere, direct thread



The DUAL GEN2 Series suppressors are available in five colour options.

DUAL GEN2 suppressor size comparison with QM2 mount.



	5.56x45	g	mm	mm	mm	dB	300 series stainless steel	Cerakote
DUAL556-MINI BL / QM2* / DT**	5.56x45	430 / *560 / **370	119 / *130 / **110	72 / *83 / **94	43,8	ca. 21 (1 m left of the muzzle) ca. 16 (shooters left or right ear)	300 series stainless steel	Cerakote
DUAL556-S BL / QM2* / DT**	5.56x45	520 / *650 / **455	141 / *155 / **135	96 / *109 / **120	43,5	ca. 23 (1 m left of the muzzle) ca. 18 (shooters left or right ear)	300 series stainless steel	Cerakote
DUAL556 BL / QM2* / DT**	5.56x45	545 / *680 / **500	175 / *185 / **152	120–130 / *139 / **129	43,5	ca. 25 (1 m left of the muzzle) ca. 20 (shooters left or right ear)	300 series stainless steel	Cerakote
DUAL762-S BL / QM2* / DT**	7.62x51	540 / *670 / **485	151 / *166 / **146	105 / *120 / **131	43,5	ca. 23 (1 m left of the muzzle) ca. 18 (shooters left or right ear)	300 series stainless steel	Cerakote
DUAL762 BL / QM2* / DT**	7.62x51	580 / *710 / **530	180 / *191 / **158	127–137 / *145 / **135	43,5	ca. 24 (1 m left of the muzzle) ca. 19 (shooters left or right ear)	300 series stainless steel	Cerakote

Color options Black FDE Coyote OD Green Sniper Grey



AU S SERIES

SL4i-SMG MP5
SL6i-SMG MP5

- SL4i-SMG MP5
280 g/109 mm
- SL6i-SMG MP5
380 g/153 mm

Ultra-compact and lightweight 9 mm suppressors for the MP5 submachine gun.

Mounting:
A 3-lug mounting system for attaching the suppressors to standard MP5 barrels. Also available with BoreLock and direct thread attachment.



S Series SL4i-SMG MP5 and SL6i-SMG MP5 are also available with BoreLock attachment.



3-lug attachment on Hiper MP7 flash hider.

	9x19mm	g	mm	mm	mm	dB	300 series stainless steel	Blasted stainless finish or CeraKote coating
SL4i-SMG MP5	9x19mm	280	109	75	44	13-16 (1 m left of the muzzle) 13-15 (shooters ear)	300 series stainless steel	Blasted stainless finish or CeraKote coating
SL6i-SMG MP5	9x19mm	380	153	120	44	22-25 (1 m left of the muzzle) 16-22 (shooters ear)	300 series stainless steel	Blasted stainless finish or CeraKote coating

Color options: Black FDE Coyote OD Green Sniper Grey



AU S SERIES

SL6i-BL .300 BLK / SL8i-BL .300 BLK



SL6i-BL .300 BLK SL8i-BL .300 BLK

SL6i-BL and SL8i-BL .300 BLK suppressors are developed especially for the .300 Blackout caliber, taking into account the use of subsonic and supersonic loads. The SL6i-BL offers a good size-to-performance ratio, while the SL8i-BL is designed for maximum performance, providing excellent accuracy and low point of impact shift.

Mounting options
SL6i-BL .300 BLK: Borelock Bird Cage and Hiper-S -flash hider, Borelock muzzle brake, direct thread.
SL8i-BL .300 BLK: All Borelock muzzle devices, direct thread

- SL6i-BL .300 BLK
445 g/150 mm
- SL8i-BL .300 BLK
545 g/200 mm

	.300 Blackout	g	mm	mm	mm	dB	300 series stainless steel	Blasted stainless finish or CeraKote coating
SL6i-BL .300 BLK	.300 Blackout	445	150	90	43	.300 BLK sub sonic, 26-29 (1 m left of the muzzle) .300 BLK sub sonic, 20-23 (shooters left or right ear) .300 BLK super sonic, 27-29 (1 m left of the muzzle) .300 BLK super sonic, 17-23 (shooters left or right ear)	300 series stainless steel	Blasted stainless finish or CeraKote coating
SL8i-BL .300 BLK	.300 Blackout	545	200	140	43	.300 BLK sub sonic, 29-31 (1 m left of the muzzle) .300 BLK sub sonic, 23-26 (shooters left or right ear) .300 BLK super sonic, 29-31 (1 m left of the muzzle) .300 BLK super sonic, 18-24 (shooters left or right ear)	300 series stainless steel	Blasted stainless finish or CeraKote coating

Color options: Black FDE Coyote OD Green Sniper Grey

CALIBERS

Caliber	SL5i .223	SL5i .25	SL5i .30	SL6i .338/9.3	SL6i .375	SL7i .30	SL7i .300/.338	Radien .223/.25	Radien .30	Radien .338/9.3	Radien Titan 6.5	Radien Titan .30	Radien 300	Radien 300 XTi
204 Ruger	●	●	●	●	●	●	●	●	●	●	●	●	●	●
222 Rem	●	●	●	●	●	●	●	●	●	●	●	●	●	●
223 Rem	●	●	●	●	●	●	●	●	●	●	●	●	●	●
22-250 Rem	●	●	●	●	●	●	●	●	●	●	●	●	●	●
243 Win	✗	●	●	●	●	●	●	●	●	●	●	●	●	●
260 Rem	✗	●	●	●	●	●	●	●	●	●	●	●	●	●
25-06 Rem	✗	●	●	●	●	●	●	●	●	●	●	●	●	●
6.5X55 SE	✗	●	●	●	●	●	●	●	●	●	●	●	●	●
6.5 Creedmoor	✗	●	●	●	●	●	●	●	●	●	●	●	●	●
270 Win	✗	✗	●	●	●	●	●	✗	●	●	✗	●	●	●
7X64	✗	✗	●	●	●	●	●	✗	●	●	✗	●	●	●
7MM-08 Rem	✗	✗	●	●	●	●	●	✗	●	●	✗	●	●	●
308 Win	✗	✗	●	●	●	●	●	✗	●	●	✗	●	●	●
30-06 Sprg	✗	✗	●	●	●	●	●	✗	●	●	✗	●	●	●
9.3X62	✗	✗	✗	●	●	✗	●	✗	✗	●	✗	✗	✗	✗
9.3X66 SAKO	✗	✗	✗	●	●	✗	●	✗	✗	✗	✗	✗	✗	✗
7 mm Rem Mag	✗	✗	✗	✗	✗	✗	●	✗	✗	✗	✗	✗	●	●
300 Win Mag	✗	✗	✗	✗	✗	✗	●	✗	✗	✗	✗	✗	●	●
338 Federal	✗	✗	✗	●	●	✗	●	✗	✗	●	✗	✗	✗	✗
338 Win Mag	✗	✗	✗	●	✗	✗	●	✗	✗	●	✗	✗	✗	✗
.338 Lapua Mag	✗	✗	✗	✗	✗	✗	●	✗	✗	✗	✗	✗	✗	✗
.375 H&H Mag	✗	✗	✗	✗	●	✗	✗	✗	✗	✗	✗	✗	✗	✗

Caliber	ECOi .22	ECOi .17
.22 LR	●	✗
.17 HMR	●	●
.22 WMR	●	✗

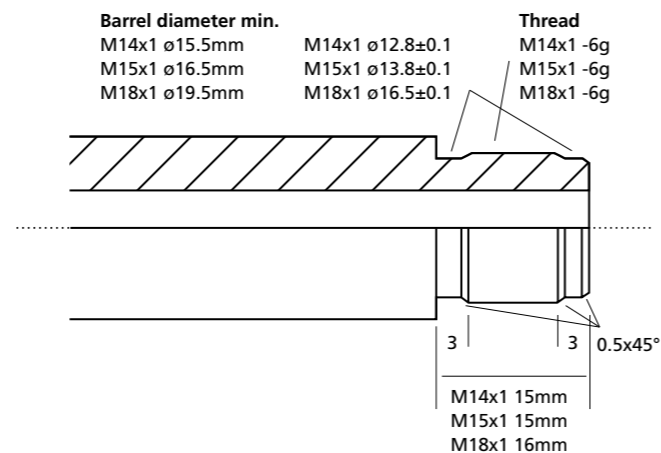
- Recommendation.
- Can be used, reduced suppressor performance.
- Can be used, significantly reduced suppressor performance.
- ✗ Do not use.

BARREL THREADS

If the firearm does not have a muzzle thread, we suggest the following options that cover most rifles;

- Light-barrelled firearms .30 and smaller calibers:** M14x1 Sako / no spigot
- Light-barrelled firearms 9.3, .338 Win Mag and other similar calibers:** M15x1 Sako / no spigot
- Heavy-barrelled and shooting range type firearms in all calibers:** M18x1 Sako / no spigot

Ase Utra also offers a wide range of standard threads to cover threaded firearms and the differences in gun manufacturer thread options.



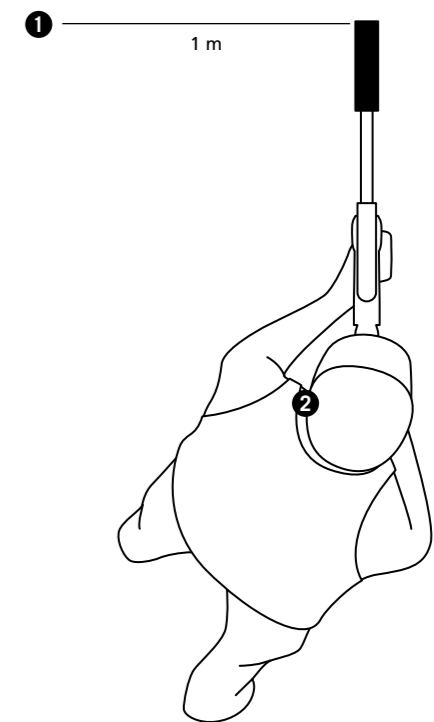
TYPICAL SOUND PRESSURE LEVELS

The sound pressure levels given on this page are tested on measurement equipment especially intended for measuring gunshot impulse noise. The shots have been fired in open terrain, over 10 metres away from any reflective surfaces. Please note that sound pressure levels are affected by many factors, such as the environment, weather conditions, caliber, barrel length, and cartridge.

The Bruel & Kjaer PULSE Type 3052-A-030/3ch sound pressure level meter used by our company is designed for reliable measurement of impulse noise.

Caliber	Suppressor	1 Sound pressure level, 1 m left of the muzzle (dB C peak)	2 Sound pressure level, shooters ear (dB C peak)
.22 LR 560 mm barrel (Sub sonic ammunition)	Unsuppressed	136–140	130–132
	ECO .22	110–114	108–110
.222 Rem 508 mm barrel	Unsuppressed	162–164	154–156
	S series SL5i .223	133–135	127–129
6.5x55 SE 508 mm barrel	Unsuppressed	166–167	157–159
	S series SL5i .25 Radien .25	140–142 135–137	133–135 128–130
6.5 Creedmoor	Unsuppressed	167–169	156–158
	S Series SL5i Radien .25 Radien Titan	137–140 135–139 140–141	131–133 126–130 129–132
.308 Win 508 mm barrel	Unsuppressed	165–167	158–160
	S series SL5i .30 S series SL7i .30 Radien .30	142–144 136–138 137–139	135–137 131–133 128–130
.308 Win 570 mm barrel	S series SL5i .30 Radien Titan Radien 300	139–132 145–148 134–140	128–130 132–135 125–130
	.300 Win Mag 602 mm barrel	Unsuppressed	167–169
S series SL7i .300/.338 Radien 300		145–147 140–144	134–136 130–134
9.3x62 508 mm barrel	Unsuppressed	166–168	159–161
	S series SL6i 9.3 Radien 9.3	148–150 141–146	138–140 132–137
.338 Lapua Mag 570–690 mm barrel	Unsuppressed	170+	170+
	S series SL7i .300/.338 S series SL7-BL .338 S Series SL9i	146–150 146–150 140–141	136–139 136–139 133–135

Read more general information about firearm sound suppression measurement: www.aseutra.fi



SUSTAINABLE SUPPRESSION

Ase Utra Oy is one of the world's largest manufacturers of sound suppressors. We have been manufacturing sound suppressors for hunting, sports and professional use since 1994.

Ase Utra sound suppressors are extremely durable and reliable. Our suppressors are used widely by hunters as well as law enforcement and the military in various countries and in challenging conditions. Our product's popularity is based on its high quality due to uncompromising and ongoing product development work.

TWO-YEAR WARRANTY

Ase Utra sound suppressors have a two-year warranty that covers any manufacturing faults. Ase Utra suppressors are delivered complete with instructions on maintenance and practical tips on using suppressors.

WHY CHOOSE AN ASE UTRA SUPPRESSOR?

- Reduce the risk of temporary or permanent hearing loss.
- Significantly reduce the visible muzzle flash and dust signature.
- Allow better communication between team or squad members.
- Reduce recoil, enabling faster follow up shots.
- Reduce the environmental noise, allowing training facilities or shooting ranges to comply better with noise limits.
- A correctly manufactured and mounted suppressor will not negatively affect accuracy and a more common result is improved accuracy.

ASE UTRA OY

Valokaarentie 8
FI-80710 Lehmo, Finland

Tel. +358 10 423 8810
contact@aseutra.fi

www.aseutra.fi

SUSTAINABLE SUPPRESSION))) SINCE 1994



WWW.ASEUTRA.FI

